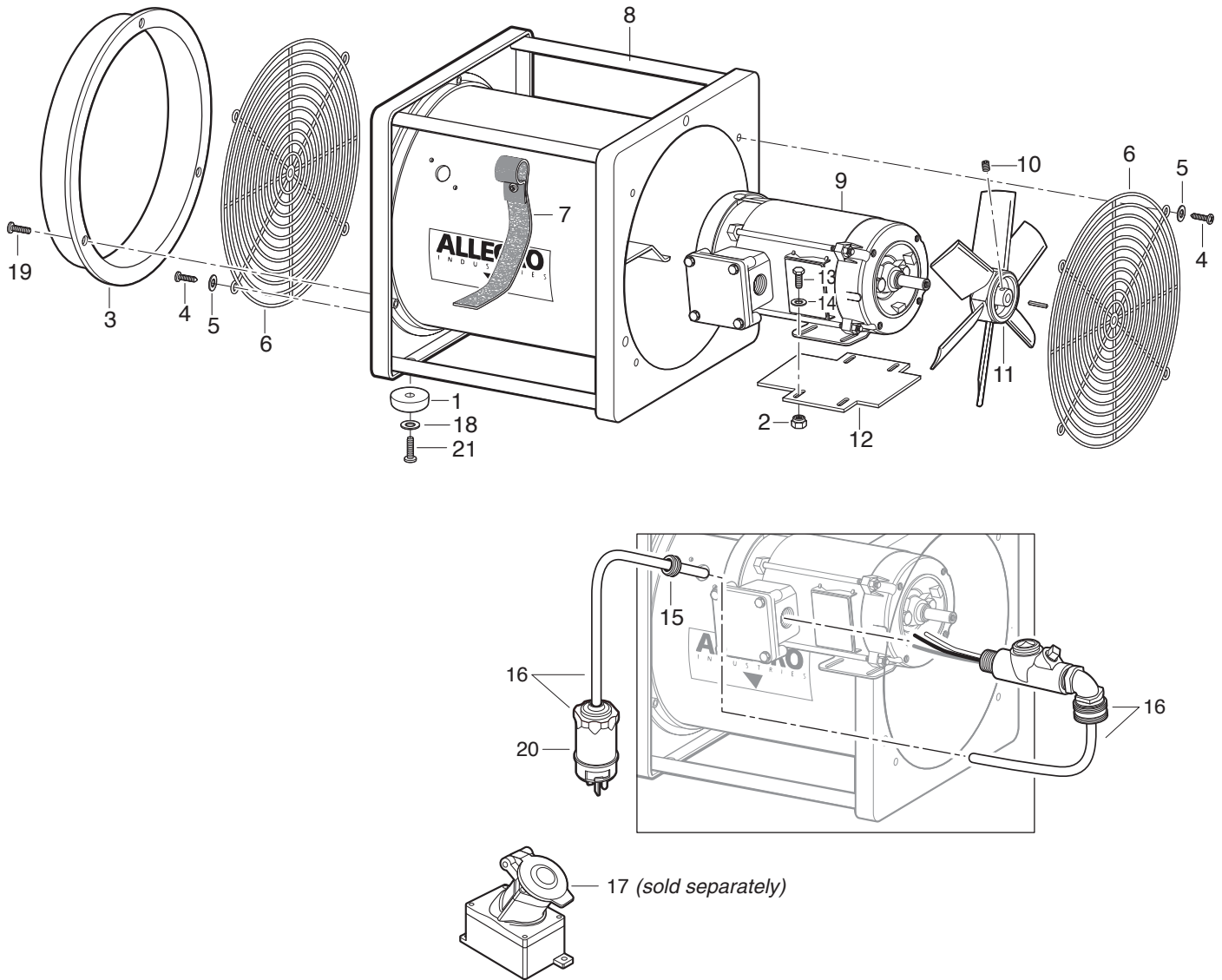


16" & 20" EXPLOSION PROOF BLOWERS (9515-01, 9525-01)
16" & 20" EXPLOSION PROOF HIGH OUTPUT BLOWERS (9515-50EXE, 9525-50EXE)



Key	Part #	Description	Key	Part #	Description	Key	Part #	Description
	9515-01	16" Explosion Proof Blower (EX)	7	9515-30	Cord Restraining Handle	15	9872-12	Grommet
	9525-01	20" Explosion Proof Blower (EX)	8	9515-05	Chassis (16" Blower)	16	9503-20	Cord w/Plug, 20A/125V (EX)
	9515-50EXE	16" High Output Explosion Proof Blower (EX)		9525-05	Chassis (20" Blower)		9503-21	Cord w/Plug, 10A/220V AC
	9525-50EXE	20" High Output Explosion Proof Blower (EX)	9	9515-10EX	Motor 1/2 H.P. 115/230V (EX)	17	9503-03	Recepticle 20A/125V AC (sold separately)
				9516-01EX	Motor 3/4 H.P. 115/230V (EX)	18	9500-63	Flat Washer
1	9505-06	Feet		9515-51EX	Motor 1 1/2 H.P. Atex 115/230V (EX)	19	9800-66	Machine Screw
2	9500-68	K-Nut	10	9513-62	Socket Set Screw	20	9503-02	Plug, 20A/125V
3	9515-03R	Duct Ring Adaptor (16" Blower)	11	9515-14EX	Fan, 6 Blade (EX)		9503-05	Plug, 20A/250V
	9525-03R	Duct Ring Adaptor (20" Blower)		9516-14EX	Fan, 3 Blade (EX)			
4	9500-75	Machine Screw		9525-14EX	Fan, 3 Blade (EX)	21	9800-68	Machine Screw
5	9513-16	Grommet	12	9515-04	Motor Mount Pad			
6	9515-02	Grill (16" Blower)	13	9500-82	Tap Bolt			
	9525-02	Grill (20" Blower)	14	9800-61	Flat Washer			