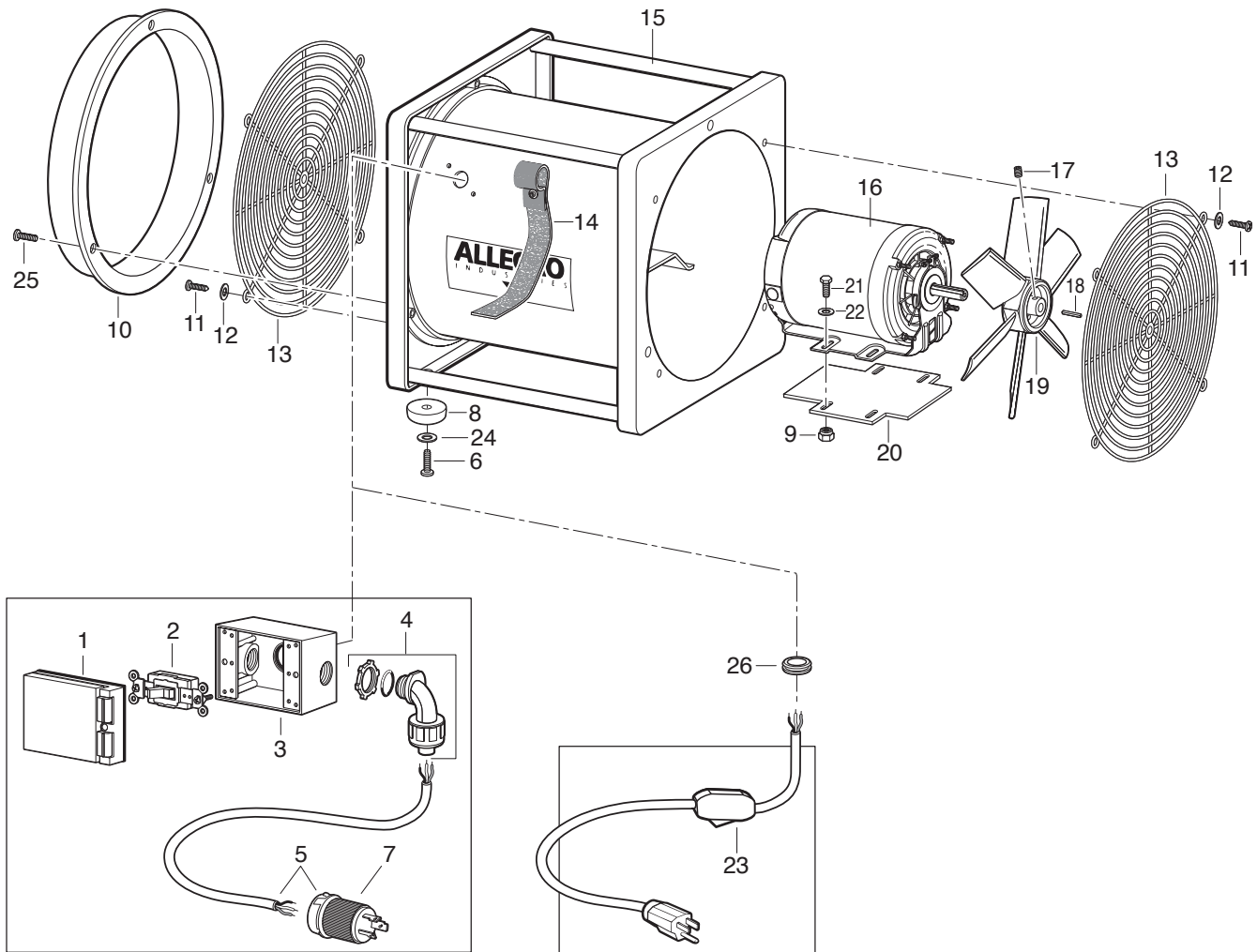


**16" STANDARD BLOWER (9515), 16" HIGH OUTPUT BLOWER (9516)  
20" STANDARD BLOWER (9525), 20" HIGH OUTPUT BLOWER (9525-50)**



**High Output Blower (HO)  
16" (9516)  
20" (9525-50)**

**Standard Blower (STD)  
16" (9515)  
20" (9525)**

Key	Part #	Description	Key	Part #	Description	Key	Part #	Description
	<b>9515</b>	<b>16" Standard Blower (STD)</b>	12	9513-16	Grommet	22	9800-61	Flat Washer
	<b>9516</b>	<b>16" High Output Blower (HO)</b>	13	9515-02	Grill (16" Blower)	23	9515-07	Cord (STD)
	<b>9525</b>	<b>20" Standard Blower (STD)</b>		9525-02	Grill (20" Blower)	24	9500-63	Flat Washer
	<b>9525-50</b>	<b>20" High Output Blower (HO)</b>	14	9515-30	Cord Restraining Handle	25	9800-66	Machine Screw
1	9516-09	Switch Cover	15	9515-05	Chassis (16" Blower)	26	9515-11	Grommet (STD)
2	9516-08	Switch		9525-05	Chassis (20" Blower)			
3	9516-07	Switch Housing	16	9515-10	Motor 1/2 H.P. 120V (STD)			
4	9503-04	Flex Conduit		9516-04	Motor 2 H.P. 120V (HO)			
5	9516-20	Cord w/Plug Assy., 30A/125V (HO)	17	9513-62	Socket Set Screw			
6	9800-68	Machine Screw	18	9505-09A	Key (For STD only)			
7	9842-74	Plug 115V	19	9515-14	Fan, 6 Blade (STD)			
8	9505-06	Feet		9515-06	Fan, 3 Blade (HO)			
9	9500-68	K-Nut		9525-14	Fan, 3 Blade (STD)			
10	9515-03R	Duct Ring Adaptor (16" Blower)		9525-06	Fan, 4 Blade (HO)			
	9525-03R	Duct Ring Adaptor (20" Blower)	20	9515-04	Motor Mount Pad			
11	9500-75	Machine Screw	21	9500-82	Tap Bolt			