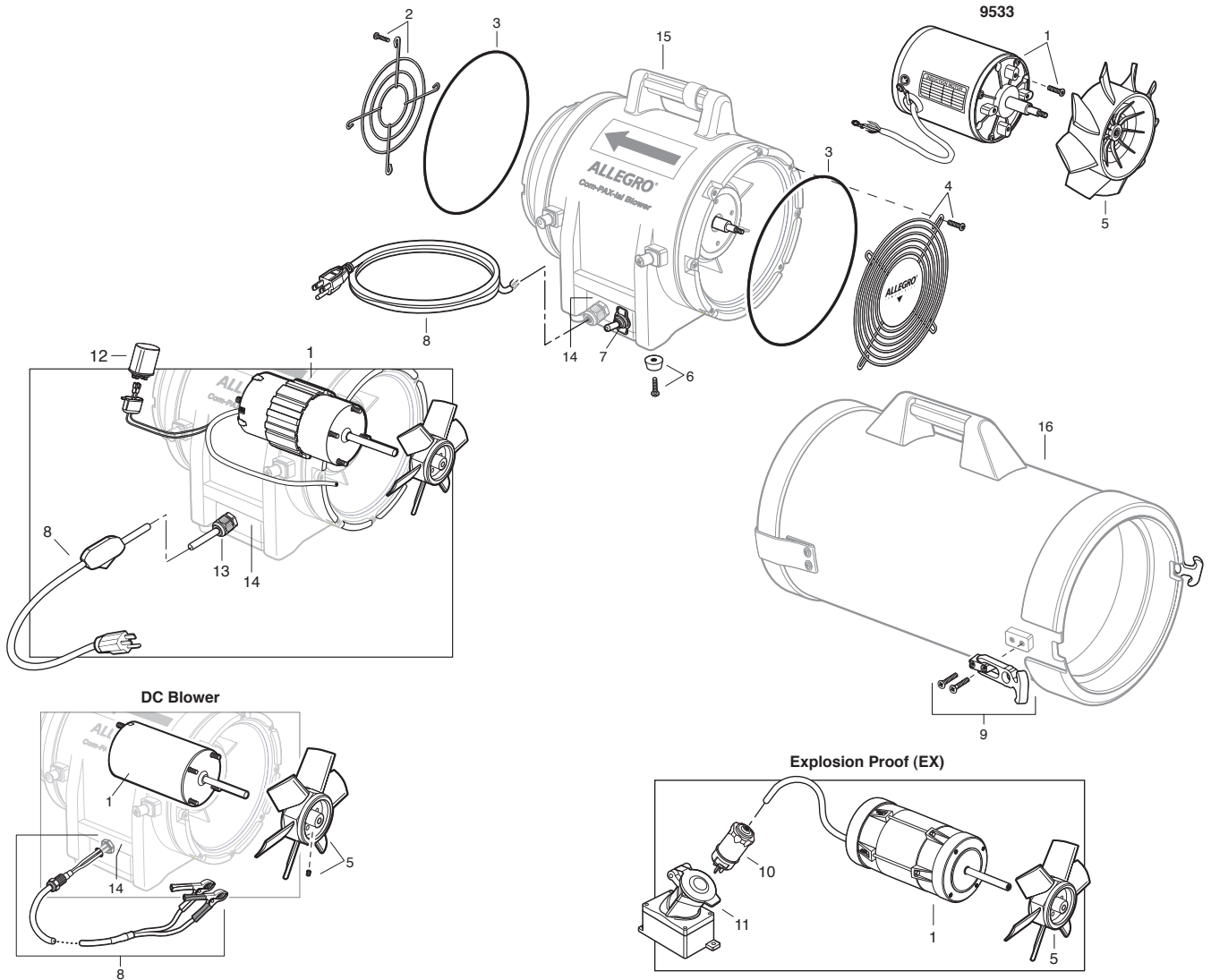


8" PLASTIC COM-PAX-IAL BLOWERS

(AC-9533, 9533-15, 9533-25,
DC-9536, 9536-15, 9536-25, EX-9538, 9538-15, 9538-25)



Key Part #	Description	Key Part #	Description	Key Part #	Description
9533	AC Plastic Compaxial Blower	3	9533-05 Canister O-Ring	15	9533-14 8" Chassis
9533-15	AC Plastic Compaxial Blower, w/Canister & 15' Ducting	4	9533-07 Fan Grill w/Screws (not sold separately)	16	9533-01A Canister w/o Ducting
9533-25	AC Plastic Compaxial Blower, w/Canister & 25' Ducting	5	9533-10 Fan (AC)		9533-01 Canister w/15' Ducting
9536	DC Plastic Compaxial Blower		9536-10 Fan, 6 Blade (DC)		9533-02 Canister w/25' Ducting
9536-15	DC Plastic Compaxial Blower, w/Canister & 15' Ducting	6	9533-06 Feet Kit, Includes 4 Feet & 4 Screws (not sold separately)		9538-01 Canister w/15' Ducting, EX
9536-25	DC Plastic Compaxial Blower, w/Canister & 25' Ducting	7	9543-13 On/Off Switch		9538-02 Canister w/25' Ducting, EX
9538	AC EX Plastic Compaxial Blower	8	9533-04 Electric Cord 20'		
9538-15	AC EX Plastic Compaxial Blower w/Canister & 15' Ducting		9506-40 Electric Cord w/Clamp (DC)		
9538-25	AC EX Plastic Compaxial Blower w/Canister & 25' Ducting		9512-12 Electric Cord w/Switch		
1	9533-03 Motor, (AC) 1/3 HP, 115/220V AC	9	9533-08 Canister Latch Kit: Includes Latch, Plastic Parts & Screws (not sold separately)		
	9506-10 Motor, (DC) 1/3 HP	10	9503-02 Plug, 20A/125V, EX		
	9513-03EX Motor, (AC) (EX) 1/3 HP. w/Cord	11	9503-03 Receptacle EX. (Sold separately)		
	9513-03 Motor, (AC) 1/2 HP	12	9533-03C Capacitor, Electric Motor		
2	9533-09 Fan Guard w/Screws (not sold separately)	13	9534-07 Strain Relief		
		14	9533-12 Switch Plate w/Screws		