

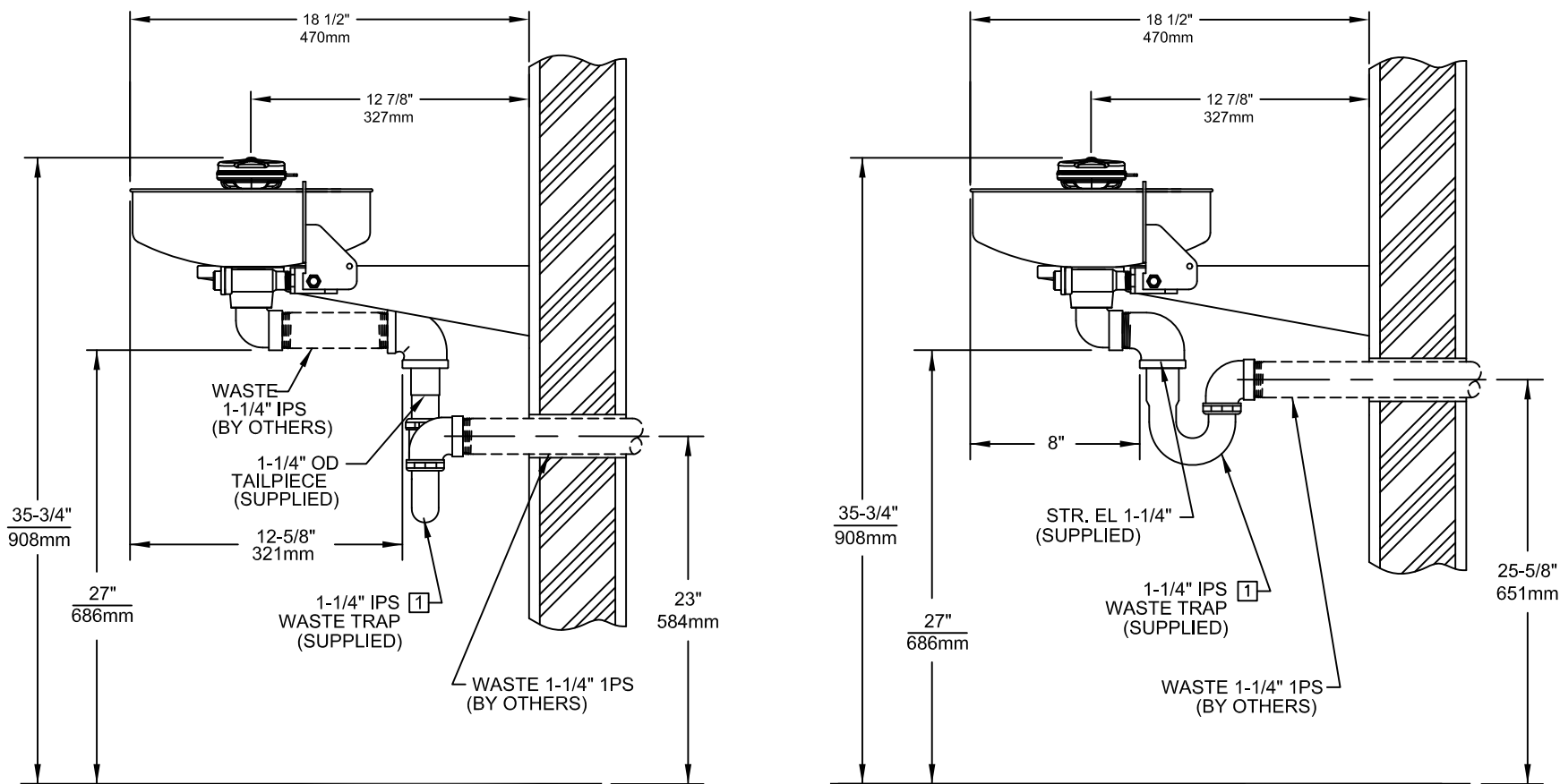
SEE SHT. 2 FOR ALTERNATE INSTALLATIONS

TRAP MUST BE ACCESSIBLE

NOTES:

- TO COMPLY WITH ANSI Z358.1-2009 FOR EMERGENCY EYEWASH OR EYE/FACE WASH AND SHOWER EQUIPMENT:
 - UNIT SHALL BE INSTALLED IN ACCORDANCE WITH MANUFACTURER'S INSTRUCTIONS AND ACCEPTABLE PLUMBING PRACTICES.
 - EYEWASH OR EYE/FACE WASH SHALL BE POSITIONED WITH NOZZLES NOT LESS THEN 83.8 CM (33 IN.) AND NO GREATER THAN 114.3 CM (45 IN.) FROM SURFACE ON WHICH USER STANDS AND 15.3 CM (6 IN.) MINIMUM FROM WALL OR NEAREST OBSTRUCTION.
- DIMENSIONS MAY VARY ±1/2" [12.7mm].

		1455 KLEPPE LANE SPARKS, NEVADA 89431 (775) 359-4712 FAX (775) 359-7424 E-MAIL: HAWS@HAWS.CO.COM WEBSITE: WWW.HAWS.CO.COM	
		MODEL(S): 7360BTWC	
ECN NO.: ECN: 4639	REVISED PER: IR	DATE: 03/96	CHRD: INFO FAX DOC #: 27360289
DRAWN: FV	APPROVED:	SCALE: 1/8"	DRAWING TYPE: INSTALLATION/FAXBACK
PART NUMBER: 0002080039.D		DRAWING NUMBER: 13498A00	REV: 8
©2012 Haws Corporation - All Rights Reserved		HAWS® and other trademarks used in these materials are the exclusive property of Haws Corporation.	SIZE: A SHEET 1 OF 2



OPTION A

ALTERNATE INSTALLATIONS

OPTION B

NOTE:

1 TRAP SHOULD BE WRAPPED TO PROVIDE ADDITIONAL USER PROTECTION.

NOTES:

- TO COMPLY WITH ANSI Z358.1-2009 FOR EMERGENCY EYEWASH OR EYE/FACE WASH AND SHOWER EQUIPMENT:
 - UNIT SHALL BE INSTALLED IN ACCORDANCE WITH MANUFACTURER'S INSTRUCTIONS AND ACCEPTABLE PLUMBING PRACTICES.
 - EYEWASH OR EYE/FACE WASH SHALL BE POSITIONED WITH NOZZLES NOT LESS THEN 83.8 CM (33 IN.) AND NO GREATER THAN 114.3 CM (45 IN.) FROM SURFACE ON WHICH USER STANDS AND 15.3 CM (6 IN.) MINIMUM FROM WALL OR NEAREST OBSTRUCTION.
- DIMENSIONS MAY VARY ±1/2" [12.7mm].

		1455 KLEPPE LANE SPARKS, NEVADA 89431 (775) 359-4712 FAX (775) 359-7424 E-MAIL: HAWS@HAWSCO.COM WEBSITE: WWW.HAWSCO.COM	
		ECN NO. REVISED PER ECN: 4639 DATE: 03/98 DRAWN: FV APPROVED:	BY: HM CHRD: