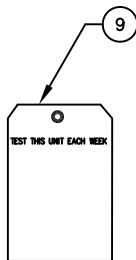
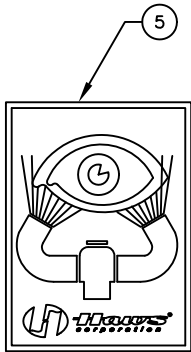
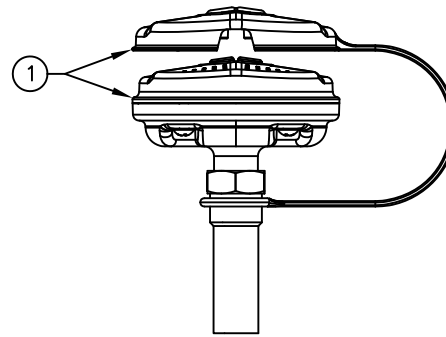
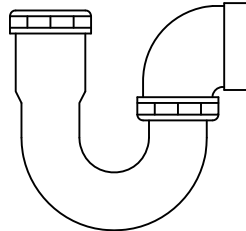
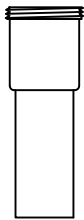
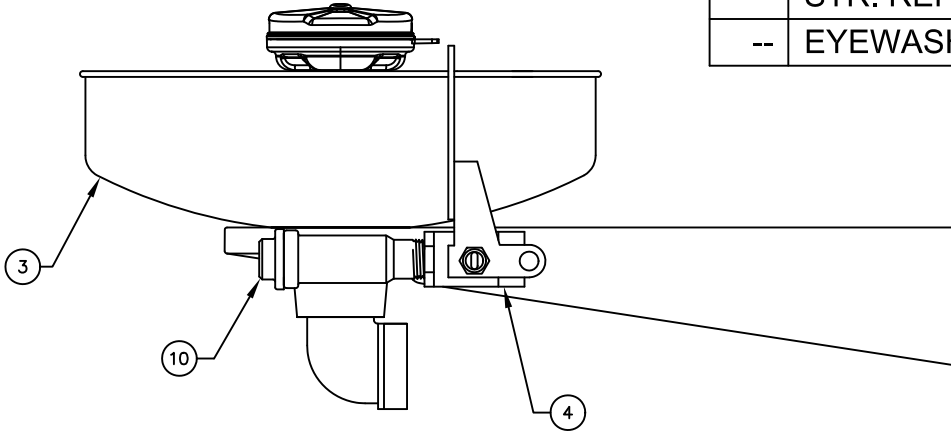


# PARTS BREAKDOWN

ITEM	DESCRIPTION	PART NO.
1	EYE/FACE WASH ASSY	SP65
2	-	-
3	BOWL	SP90
4	VALVE ASSEMBLY	SP229
5	EYEWASH SIGN	SP175
6	-	-
7	-	-
8	-	-
9	TEST TAG	SP170
10	L-STRAINER	SP509
--	STR. REPAIR KIT	VRKEWSTR
--	EYEWASH ASSEMBLY	SP69FC



## SP65 EYE/FACE WASH ASSEMBLY

(INCLUDES: EYEFACE WASH HEAD (SHOWN)  
EYEWASH HEAD (NOT SHOWN), EYEWASH FLOW  
CONTROL (NOT SHOWN), DUST COVER (SHOWN),  
ADAPTER (SHOWN))

		1455 KLEPPE LANE SPARKS, NEVADA 89431 (775) 359-4712 FAX (755) 359-7424 E-MAIL: HAWS@HAWSO.COM WEBSITE: WWW.HAWSO.COM	
		ECN NO. REVISED PER BY ECN: 4639 HM	MODEL(S) 7360BTC
DRAWN FV DATE 03/03/98	APPROVED _____ DATE _____	CHECKED _____ DATE _____	DRAWING NO. 13499C00 REV 8
SCALE: 1:2		DRAWING TYPE: PARTS BREAKDOWN	SIZE: A SHEET 1 OF 1

WHEN ORDERING PARTS PLEASE SPECIFY MODEL NUMBER.