



# INSTALLATION, OPERATION & MAINTENANCE INSTRUCTIONS

1455 Kleppe Lane ♦ Sparks, NV 89431-6467 ♦ (775) 359-4712 ♦ Fax (775) 359-7424  
E-mail: [haws@hawsco.com](mailto:haws@hawsco.com) ♦ website: [www.hawsco.com](http://www.hawsco.com)

No. 2080045(11)

## Model 7501/7501FP Portable Eyewash/Portable Eyewash with Heater

**NOTE TO INSTALLER:** Please leave this information with the Maintenance Department.

### LIMITED WARRANTY

HAWS warrants that this specific product is guaranteed against defective material or poor workmanship for a period of **one year from date of shipment**. HAWS liability under this warranty shall be discharged by furnishing without charge F.O.B. HAWS Factory any goods, or part thereof, which shall appear to the Company upon inspection to be of defective material or not of first class workmanship, provided that claim is made in writing to Haws within a reasonable period after receipt of the product. Where claims for defects are made, the defective part or parts shall be delivered to the Company, prepaid, for inspection. HAWS will not be liable for the cost of repairs, alterations or replacements, or for any expense connected therewith made by the owner or his agents, except upon written authority from HAWS, Sparks, Nevada. HAWS will not be liable for any damages caused by defective materials or poor workmanship, except for replacements, as provided above. Buyer agrees that Haws has made no other warranties either expressed or implied in addition to those above stated, except that of title with respect to any of the products or equipment sold hereunder and that HAWS shall not be liable for general, special, or consequential damages claimed to arise under the contract of sale.

The emergency equipment manufactured by HAWS is warranted to function if installation and maintenance instructions provided are adhered to. The units also must be used for the purpose for which they were intended. This product is intended to supplement first-aid treatment. Due to widely varying conditions, Haws cannot guarantee that the use of this emergency equipment will prevent serious injury or the aggravation of existing or prior injuries.

**NO OTHER WARRANTIES EXPRESSED OR IMPLIED ARE AUTHORIZED, PROVIDED OR GIVEN BY HAWS.**

**SHOULD YOU EXPERIENCE DIFFICULTY WITH THE INSTALLATION OF THIS MODEL PLEASE CALL:**

**TECHNICAL SUPPORT: 1-800-766-5612**

**FOR CUSTOMER SERVICE: 1-888-640-4297**

**RECOMMENDED TOOLS:** Three 1/4" diameter anchors suitable for supporting filled eyewash (approximately 80 pounds), and tools needed to install these anchors.

**LOCATION OF UNIT:** The Model 7501/7501FP Portable Eyewash should be installed in close proximity to potential accident areas. It should be clearly identified, free from obstructions and easily accessible. **NOTE: Personal wash unit Model 7501 shall be protected from freezing. Models 7501/7501FP shall not be exposed to ambient temperatures exceeding 38°C (100°F).**

**ELECTRICAL CONNECTIONS:** The Model 7501FP requires a 120 VAC, three-prong outlet PROTECTED BY GROUND FAULT INTERRUPTER. It is provided with a heavy-duty 8 foot power cord and draws up to 720 Watts.

## INSTALLATION INSTRUCTIONS

**NOTES:** Instructions apply to both models unless otherwise specified.

**STEP 1: Model 7501:** Mount unit to wall utilizing "J" bracket (supplied). Note: 1/4" mounting hardware not supplied. See Installation Drawing on Page 6 of 8.

**Model 7501FP:** Mount unit to wall utilizing "J" bracket and six rubber spacers (supplied). Locate two rubber spacers behind each bolt hole in "J" bracket. Note: 1/4" mounting hardware is not supplied. See Installation Drawing on Page 7 of 8.

**STEP 2:** Make sure portable eyewash unit is level from front to back and left to right before securing bracket to wall. Eyewash nozzles should be between 33 inches (83.8 cm) and 45 inches (114.3 cm) above the floor when eyewash arm is in the active (lowered) position (See Installation Drawings, pages 6 and 7 of 8).

### **IMPORTANT:**

**DO NOT FILL PAST WATER FILL LINE AS LEAKAGE WILL OCCUR AT THE EYEWASH HEADS.**

Filled eyewash unit is heavy (approximately 80 pounds). Wall bracket anchors (Quantity 3 - not supplied) must be strong enough to support the filled eyewash and the weight of a worker leaning on eyewash.

**STEP 3:** Fill up to fill line (see important note above). Requires 8.75 gallons (max) of water, (make sure that no debris or contaminants of any kind are present in the flushing fluid). Make sure unit is level from front to back and left to right. If installed as indicated, eyewash unit will provide 15-minute duration of flow.

**CAUTION – MAKE SURE MODEL 7501FP EYEWASH UNIT IS FILLED WITH FLUSHING FLUID (UP TO FILL LINE) BEFORE CONNECTING HEATER TO POWER SOURCE.**

**STEP 4:** Model 7501FP: Connect heater to power source (See Electrical Connections above).

**STEP 5:** Take proper precautions to help prevent the growth of potentially harmful bacteria in eyewash tanks. (Refer to Maintenance Instructions).

## OPERATING INSTRUCTIONS

Instruct all employees in the use of this Emergency Eyewash. Personnel should be assigned to check eyewash liquid level daily.

- STEP 1:** Lead patient to nearest eyewash station. Seconds can make the difference in preventing serious eye injury.
- STEP 2:** Pull yellow eyewash arm firmly. Eyewash arm will drop to activate eyewash.
- STEP 3:** Lower head until eyes enter eyewash stream. Use thumbs and forefingers to hold eyelids open. Flush for 15 minutes.
- STEP 4:** Seek qualified medical attention immediately.

## MAINTENANCE INSTRUCTIONS

### NOTE:

- Customer must provide an inspection tag and maintain a record of inspection dates and type of maintenance performed (i.e. adding Sterile Antimicrobial Preservative Model 9082, etc.)
- Acanthamoeba survive mild chlorination and are commonly found in tap water. Sterile Antimicrobial Preservative Model 9082 will prevent the growth of Acanthamoeba. Hot water, 158° F (70° C) or hotter will destroy Acanthamoeba but must be allowed to cool prior to use in eyewash units.

**STEP 1:** Self contained eyewash equipment shall be visually checked to determine if flushing fluid needs to be changed or supplemented. See STEP 3 for additional information regarding activated units.

**Frequency of inspection:** Depending on environmental conditions, visual inspections should be performed on either a daily, weekly or monthly basis as some water loss will occur due to natural evaporation process.

**STEP 2:** Take proper precautions to help prevent the growth of potentially harmful bacteria in eyewash tanks. We recommend **either** of the following procedures:

- A.** Procedure 1: Use suitable Sterile Antimicrobial Preservative Model 9082 to help prevent the growth of bacteria in eyewash tank. Eyewash tank should be drained, flushed and refilled with clean potable water and Sterile Antimicrobial Preservative Model 9082 as directed by the preservative's manufacturer.

**NOTE:** Disconnect Model 7501FP from power source before performing maintenance.

- B.** Procedure 2: Drain, flush and refill portable units with clean potable water at least once every week. Thoroughly cleanse tank at least once every month.

**STEP 3:** After activating units for whatever reason, ensure the following steps are implemented:

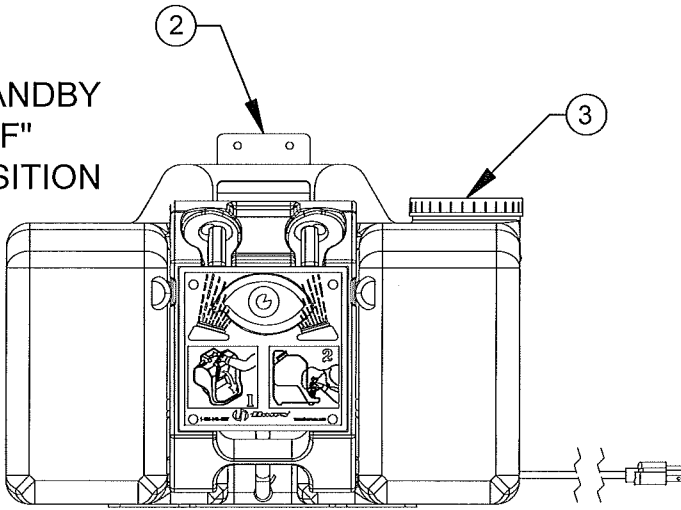
- A.** Refill tank with potable water to the watermark line.
- B.** If water is discharged for any reason – follow Procedure 1 or Procedure 2 of Step 2 above to ensure that water quality is maintained.

<b>TROUBLESHOOTING</b>	
<b>PROBLEM</b>	<b>REPAIR CHECKLIST</b>
1. No flow.	1. a. Tank empty. Refill tank (8.75 gallons). b. Obstruction in line or fitting. Clear obstruction.
2. Poor flow from eyewash head(s).	2. a. Tighten head assembly. b. Check for obstructions. If necessary, remove eyewash head(s), clean and reassemble. To reassemble head, place cap screw through head and thread into head anchor two or three turns. Tilt head assembly and work anchor legs into eyewash armholes. Tighten assembly. Check for leaks.
3. Water leak between joints or fittings.	3. a. Pull hose off fitting. Smooth raised plastic edge on center of fitting. Return hose and hose clamp to original position. b. Tighten hose clamp(s) with pliers.
4. Water leaking from eyewash heads.	4. a. Check to see if water level has exceeded water fill line (indicated on side of unit). If so, remove excess water till fill line is reached. b. Make sure unit is level from front to back and left to right.
5. Eyewash flows for less than 15 minutes.	5. a. Fill water level in eyewash tank even with water fill line (indicated on side of unit).
6. Excessive water loss	6. a. Check unit for leaks. Some loss due to evaporation is normal.
7. Heater doesn't turn on. (Model 7501FP)	7. a. Not plugged in or no power to plug. Check GFI and circuit breaker.  b. If ambient temperature is high and doesn't allow the water temperature to drop below 68°F (20°C) the heater may not switch on. <b>Heater settings are:</b> Non-adjustable thermostat preset to switch at 73°F ± 5°F (23° ± 3°C). Also, non-adjustable hi-limit thermostat preset to switch at 93°F ± 5°F (34° ± 3°C). Test the thermostat and heater function by applying ice in a circular motion to both thermostat locations. Apply ice to these locations for approximately 3-5 minutes. The external surface of the heater should become warm to the touch when operating properly. Thermostat locations and general temperature check areas are indicated on Installation Drawing page 8 of 8.

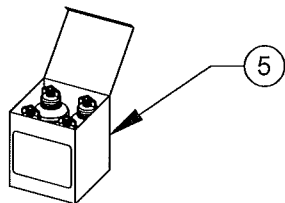
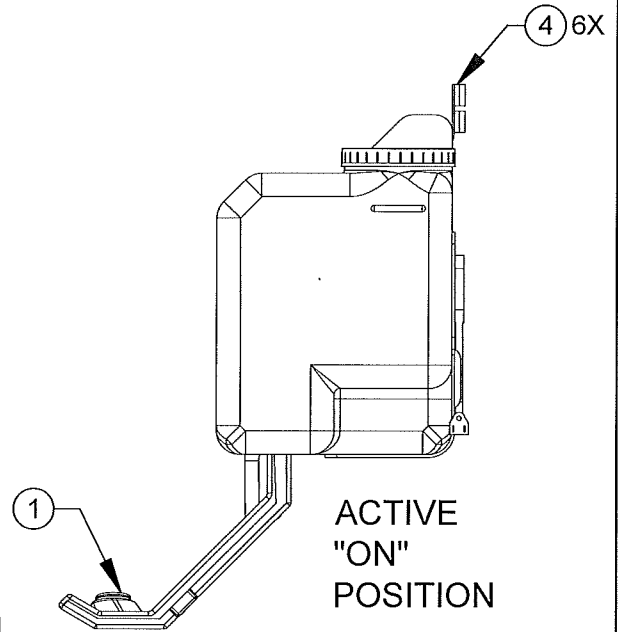
ITEM	DESCRIPTION	PART NO.
1	EYEWASH HEAD ASSY	SP19
2	BRACKET	0001217418
3	CAP	SP131
4	RUBBER SPACER	0005365001
5	STERILE ANTIMICROBIAL PRESERVATIVE	9082

# PARTS BREAKDOWN

STANDBY  
"OFF"  
POSITION



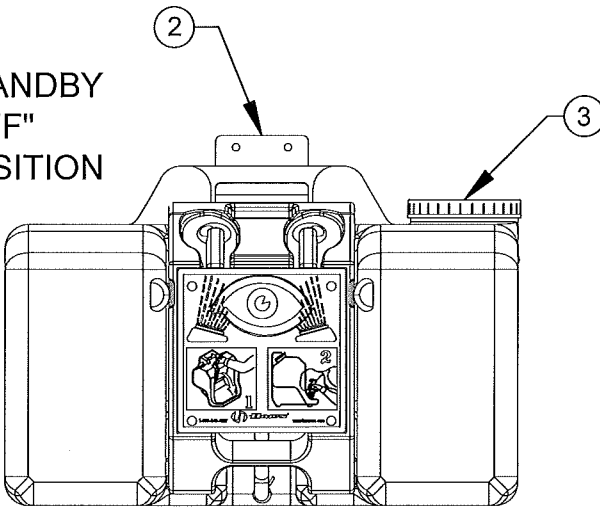
ACTIVE  
"ON"  
POSITION



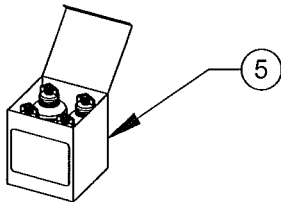
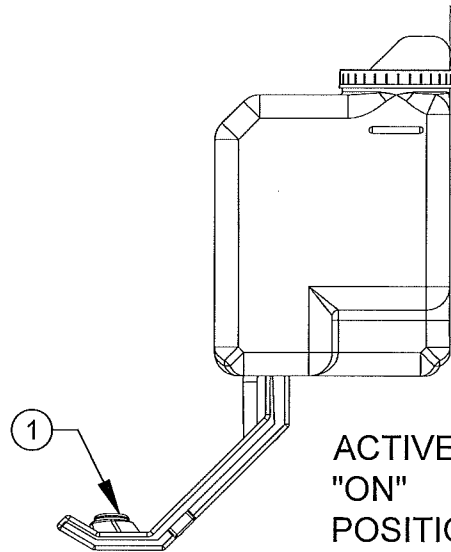
MODEL 7501FP

(NOT SUPPLIED, MUST BE ORDERED SEPARATELY)

STANDBY  
"OFF"  
POSITION



ACTIVE  
"ON"  
POSITION

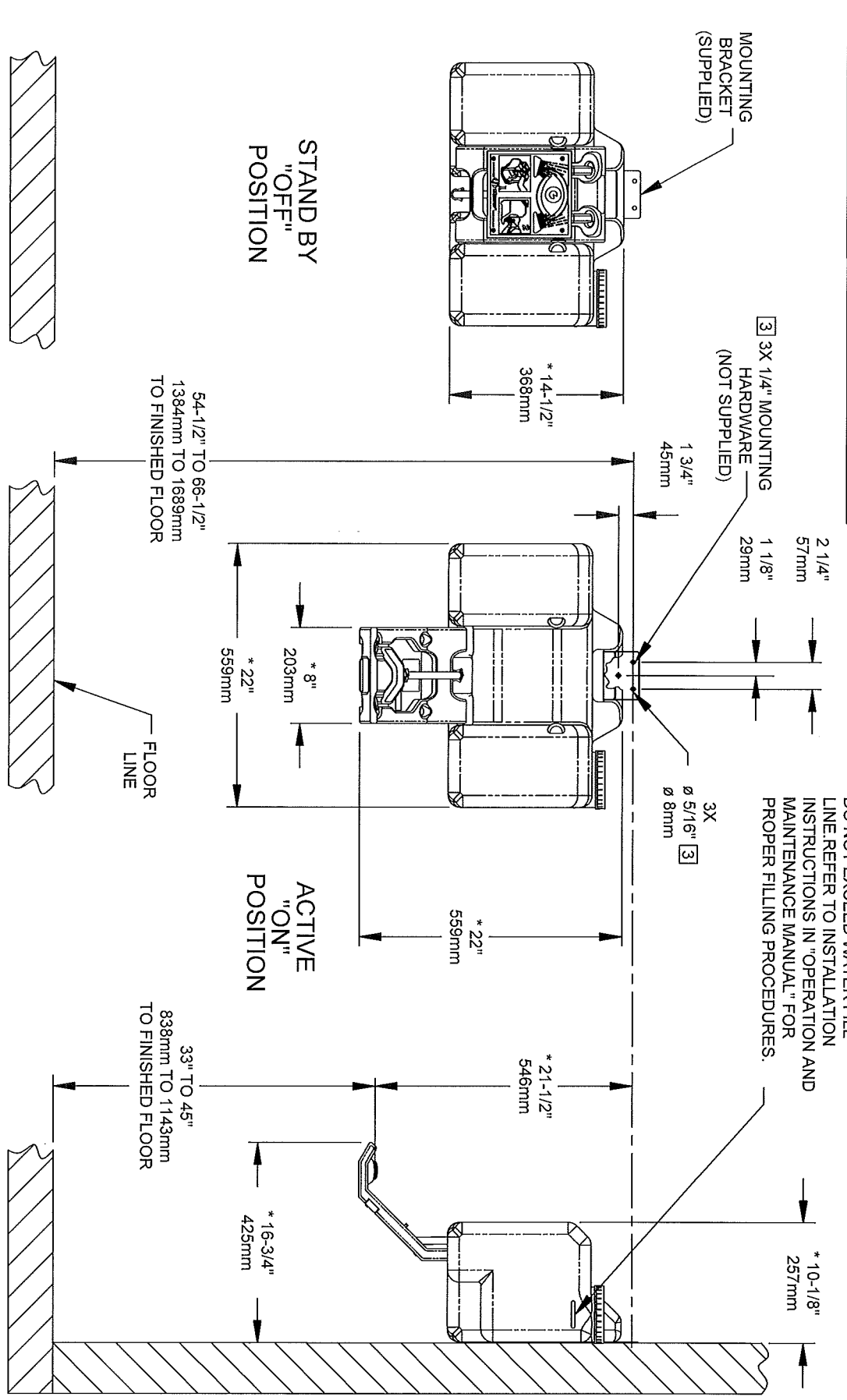


MODEL 7501

(NOT SUPPLIED, MUST BE ORDERED SEPARATELY)

WHEN ORDERING PARTS PLEASE SPECIFY MODEL NUMBER.

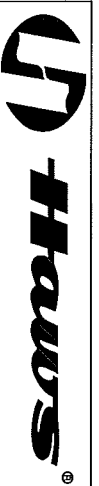
		1455 KLEPPE LANE SPARKS, NEVADA 89431 (775) 359-4712 FAX (775) 359-7424 E-MAIL: HAWS@HAWS.CO.COM WEBSITE: WWW.HAWS.CO.COM	
		ECN NO. ECN: 4742 REVISED PER BY DATE HW- RTM 04/19/04 CRD APPROVED [Signature] DATE 12/13/12	MODEL(S) 7501/7501FP PORTABLE EYEWASH
SCALE: 1:1 DRAWING TYPE: PARTS BREAKDOWN SIZE: A SHEET 1 OF 1			



NOTES:

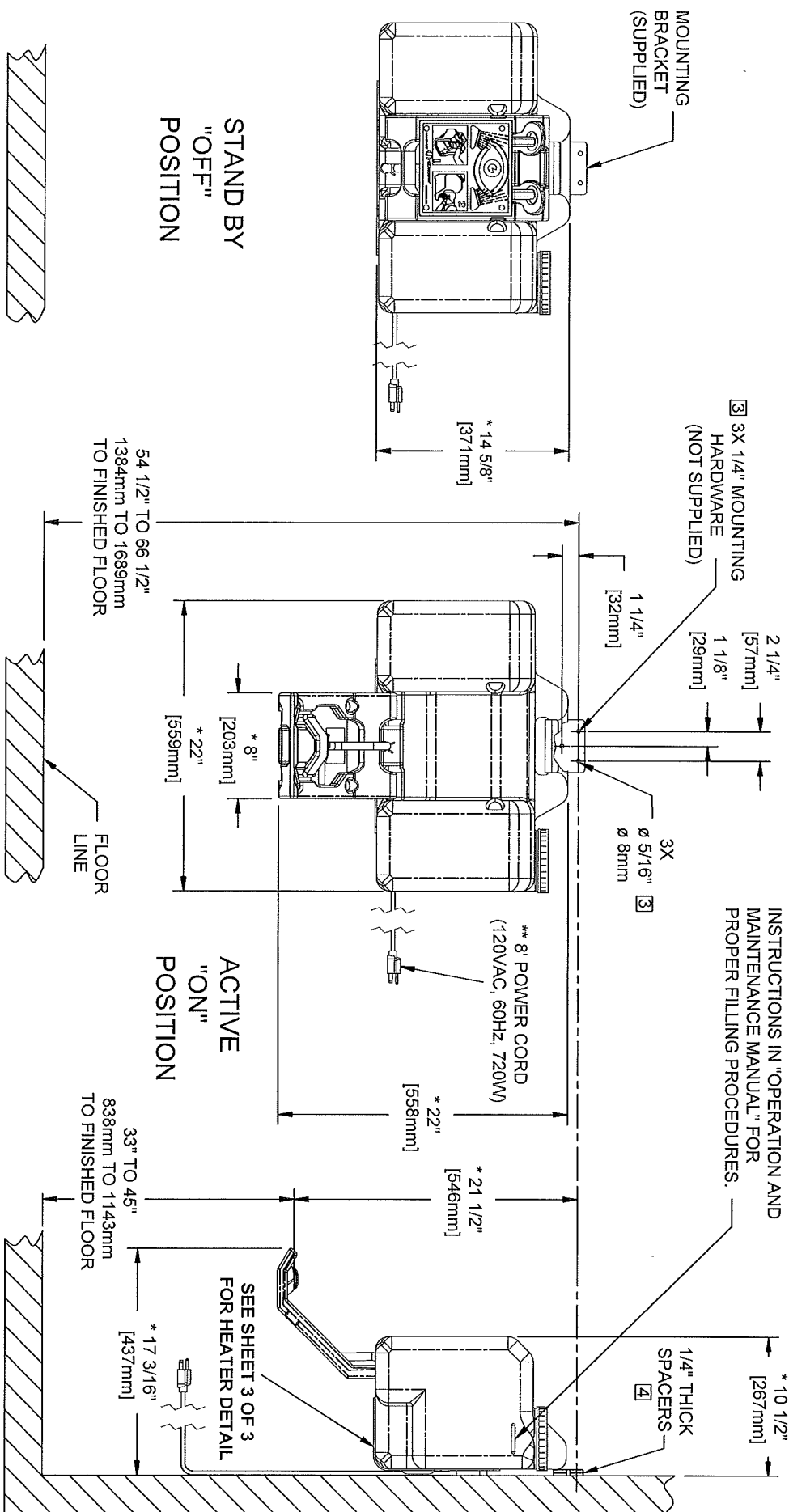
1. TO COMPLY WITH ANSI Z358.1-2009 FOR EMERGENCY EYEWASH OR EYE/FACE WASH AND SHOWER EQUIPMENT:
  - UNIT SHALL BE INSTALLED IN ACCORDANCE WITH MANUFACTURER'S INSTRUCTIONS AND ACCEPTABLE PLUMBING PRACTICES.
  - EYEWASH OR EYE/FACE WASH SHALL BE POSITIONED WITH NOZZLES NOT LESS THEN 83.8 CM (33 IN.) AND NO GREATER THAN 114.3 CM (45 IN.) FROM SURFACE ON WHICH USER STANDS AND 15.3 CM (6 IN.) MINIMUM FROM WALL OR NEAREST OBSTRUCTION.
2. UNIT MUST BE LEVEL FROM FRONT TO BACK AND SIDE TO SIDE.
3. ALL THREE MOUNTING HOLES ON MOUNTING-BRACKET MUST BE USED TO PROPERLY SECURE EYEWASH UNIT TO WALL.
4. \*DIMENSIONS MAY VARY ±1/2" [12.7mm].

MODEL 7501 (SHOWN)  
 MODEL 7501FP - WITH HEATER (SEE SHEET 2 OF 3)



1455 KLEPPE LANE  
 SPARKS, NEVADA 89431  
 (775) 359-4712 FAX (775) 359-7424  
 E-MAIL: HAWS@HAWS.COM  
 WEBSITE: WWW.HAWS.COM

ECN NO. REVISED PER BY: [ ]	MODEL(S)	PART NUMBER
DRAWING DATE: [ ]	7501 / 7501FP	0002080045.D
RTM: [ ]	PORTABLE EYEWASH	DRAWING NO. 15153A00
APPROVER: [ ]	SCALE: 1:12	REV 11
DATE: [ ]	DRAWING TYPE: INSTALLATION	SHEET 1 OF 3



- NOTES:**
1. TO COMPLY WITH ANSI Z358.1-2009 FOR EMERGENCY EYEWASH OR EYE/FACE WASH AND SHOWER EQUIPMENT:
    - UNIT SHALL BE INSTALLED IN ACCORDANCE WITH MANUFACTURER'S INSTRUCTIONS AND ACCEPTABLE PLUMBING PRACTICES.
    - EYEWASH OR EYE/FACE WASH SHALL BE POSITIONED WITH NOZZLES NOT LESS THEN 83.3 CM (33 IN.) AND NO GREATER THAN 114.3 CM (45 IN.) FROM SURFACE ON WHICH USER STANDS AND 15.3 CM (6 IN.) MINIMUM FROM WALL OR NEAREST OBSTRUCTION.
    - 2. UNIT MUST BE LEVEL FROM FRONT TO BACK AND SIDE TO SIDE.
    - 3. ALL THREE MOUNTING HOLES ON MOUNTING-BRACKET MUST BE USED TO PROPERLY SECURE EYEWASH UNIT TO WALL.
    - 4. LOCATE TWO 1/4" THICK SPACERS (QTY. 6 SUPPLIED) BEHIND EACH HOLE IN THE MOUNTING BRACKET AS SHOWN.
    - 5. \* DIMENSIONS MAY VARY ±1/2" [12.7mm].
    - 6. \*\* UNIT MUST BE FILLED WITH WATER BEFORE CONNECTING TO POWER SOURCE.
- (NOTES CONTINUED ON SHEET 3 OF 3)

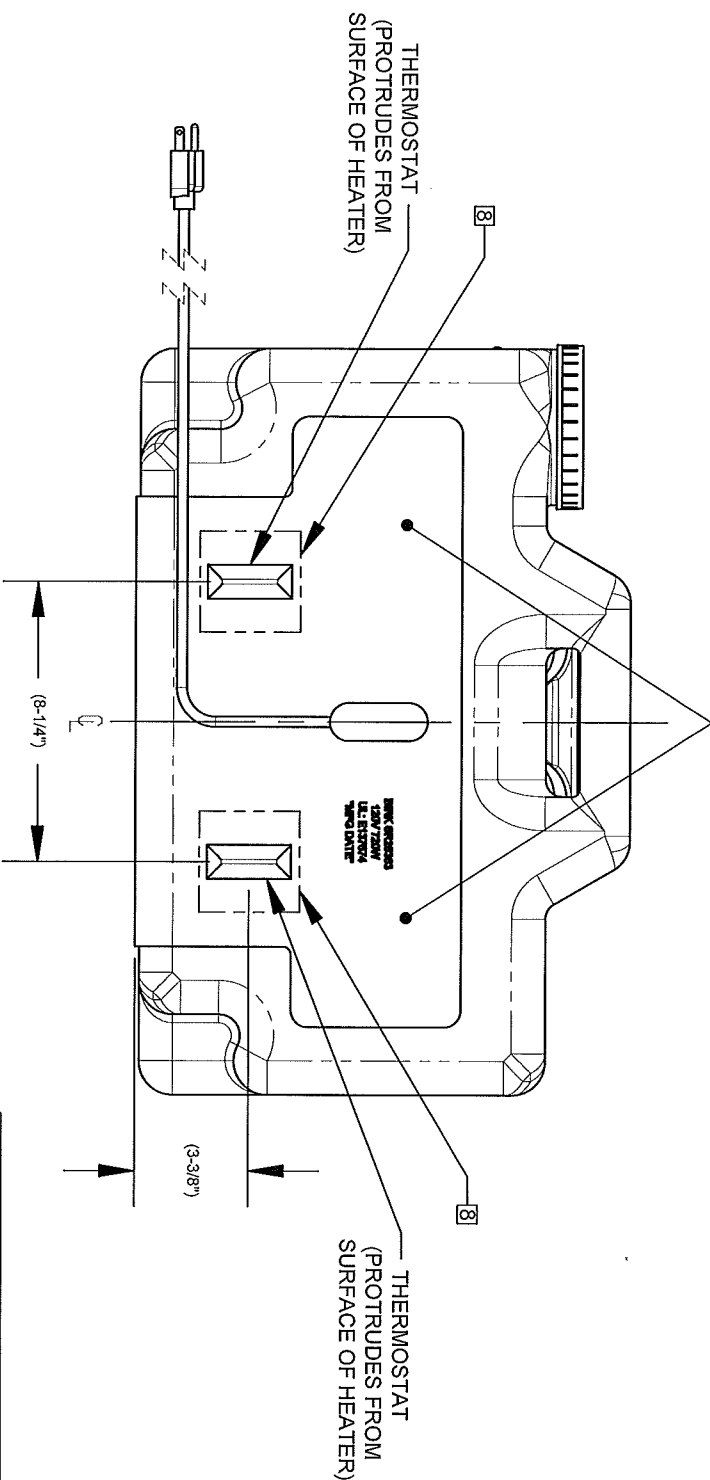
**MODEL 7501FP - WITH HEATER (SHOWN)**  
**MODEL 7501 (SEE SHEET 1 OF 3)**



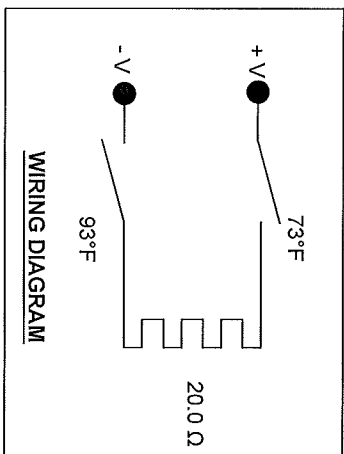
1455 KLEPPE LANE  
 SPARKS, NEVADA 89431  
 (775) 399-4772 FAX (759) 399-7424  
 E-MAIL: HAWS@HAWS.CO.COM  
 WEBSITE: WWW.HAWS.CO.COM

CON. NO.	REVISED PER BY:	MODEL(S)	PART NUMBER
4672	ECN: 4742 HM	7501 / 7501FP	0002080045.D
DRAWN:	DATE:	PORTABLE EYEWASH	DRAWING NO.
P. FISCHER	1/20/13	INSTALLATION	15153A00
APPROVED:	SCALE:	DRAWING TYPE:	REV
[Signature]	1:2	INSTALLATION	11
		SIZE:	SHEET 2 OF 3

CHECK FOR TEMPERATURE CHANGE IN THESE GENERAL AREAS.



**MODEL 7501FP  
HEATER DETAIL**



NOTES: (CONTINUED FROM SHEET 2 OF 3)

- 7. PRIOR TO SERVICING/CLEANING: UNPLUG POWER CORD ON UNIT FROM POWER SOURCE AND REMOVE UNIT FROM MOUNTING BRACKET.
- 8. EACH THERMOSTAT IS LOCATED IN THE CENTER OF A 3" X 3" NO HEAT ZONE. (SHOWN IN APPROXIMATE LOCATIONS). REFER TO OPERATIONS AND OWNERS MANUAL UNDER TROUBLESHOOTING "SECTION 7" (PAGE 4 OF 8) FOR HEATER ACTIVATION, ISSUES, AND TESTING.

©2013 Haws Corporation - All Rights Reserved. HAWS® and other trademarks used in these materials are the exclusive property of Haws Corporation.

		<b>Haws</b>		1455 KLEBBE LANE SPARKS, NEVADA, 89431 (775) 359-4712 FAX (752) 359-7424 E-MAIL: HAWS@HAWSCO.COM WEBSITE: WWW.HAWSCO.COM	
ECN NO. REVISED PER B.V.	MODEL(S)	7501 / 7501FP			
4872 ECN: 4742	7501 / 7501FP	PORTABLE EYEWASH			
DATE: 12/13	DATE: 12/13	INSTALLATION			
SCALE: 1:12	DRAWING TYPE	PART NUMBER: 0002080045.D			
SIZE: A	SHEET: 3 OF 3	DRAWING NO.: 15153A00 11			