



# INSTALLATION, OPERATION & MAINTENANCE INSTRUCTIONS

1455 Kleppe Lane ♦ Sparks, NV 89431-6467 ♦ (775) 359-4712 ♦ Fax (775) 359-7424  
E-mail: [haws@hawsco.com](mailto:haws@hawsco.com) ♦ website: [www.hawsco.com](http://www.hawsco.com)

No. 2080198(12)

## Model 8904 Hose Spray

**NOTE TO INSTALLER:** Please leave this information with the Maintenance Department.

### LIMITED WARRANTY

HAWS warrants that this specific product is guaranteed against defective material or poor workmanship for a period of **one year from date of shipment**. HAWS liability under this warranty shall be discharged by furnishing without charge F.O.B. HAWS Factory any goods, or part thereof, which shall appear to the Company upon inspection to be of defective material or not of first class workmanship, provided that claim is made in writing to Haws within a reasonable period after receipt of the product. Where claims for defects are made, the defective part or parts shall be delivered to the Company, prepaid, for inspection. HAWS will not be liable for the cost of repairs, alterations or replacements, or for any expense connected therewith made by the owner or his agents, except upon written authority from HAWS, Sparks, Nevada. HAWS will not be liable for any damages caused by defective materials or poor workmanship, except for replacements, as provided above. Buyer agrees that Haws has made no other warranties either expressed or implied in addition to those above stated, except that of title with respect to any of the products or equipment sold hereunder and that HAWS shall not be liable for general, special, or consequential damages claimed to arise under the contract of sale.

The emergency equipment manufactured by HAWS is warranted to function if installation and maintenance instructions provided are adhered to. The units also must be used for the purpose for which they were intended. This product is intended to supplement first-aid treatment. Due to widely varying conditions, Haws cannot guarantee that the use of this emergency equipment will prevent serious injury or the aggravation of existing or prior injuries.

**NO OTHER WARRANTIES EXPRESSED OR IMPLIED ARE AUTHORIZED, PROVIDED OR GIVEN BY HAWS.**

**SHOULD YOU EXPERIENCE DIFFICULTY WITH THE INSTALLATION OF THIS MODEL PLEASE CALL:**

**TECHNICAL SUPPORT: 1-800-766-5612**

**FOR CUSTOMER SERVICE: 1-888-640-4297**

**LOCATION OF UNIT:** The Model 8904 Hose Spray should be installed in close proximity to potential accident areas. It should be clearly identified free from obstructions and easy to access. In order to comply with state codes, the use of a vacuum breaker is required with all hand held eye/face wash and body spray units (Haws offers Model SP212).

**SUPPLY LINE:** The minimum recommended line size is 1/2" IPS with 30-90 psi (2-6 ATM) flowing pressure. Where sediment or mineral content is a problem, an inlet filter is recommended.

**PLUMBING CONNECTIONS:** Inlet supply is female 1/2" NPT.

<b>TROUBLESHOOTING</b>	
<b>PROBLEM</b>	<b>REPAIR CHECKLIST</b>
1. No flow.	1. a. Check the main shut-off valve.
2. Insufficient water flow.	2. a. Verify minimum 30 psi (2 ATM) flowing supply line pressure. b. Probable clogging of flow control due to inadequate line flushing. Unscrew eye/face wash head and remove the four screws to disassemble the head. Clean flow control and reassemble head. See SP65 Installation Drawing for details.

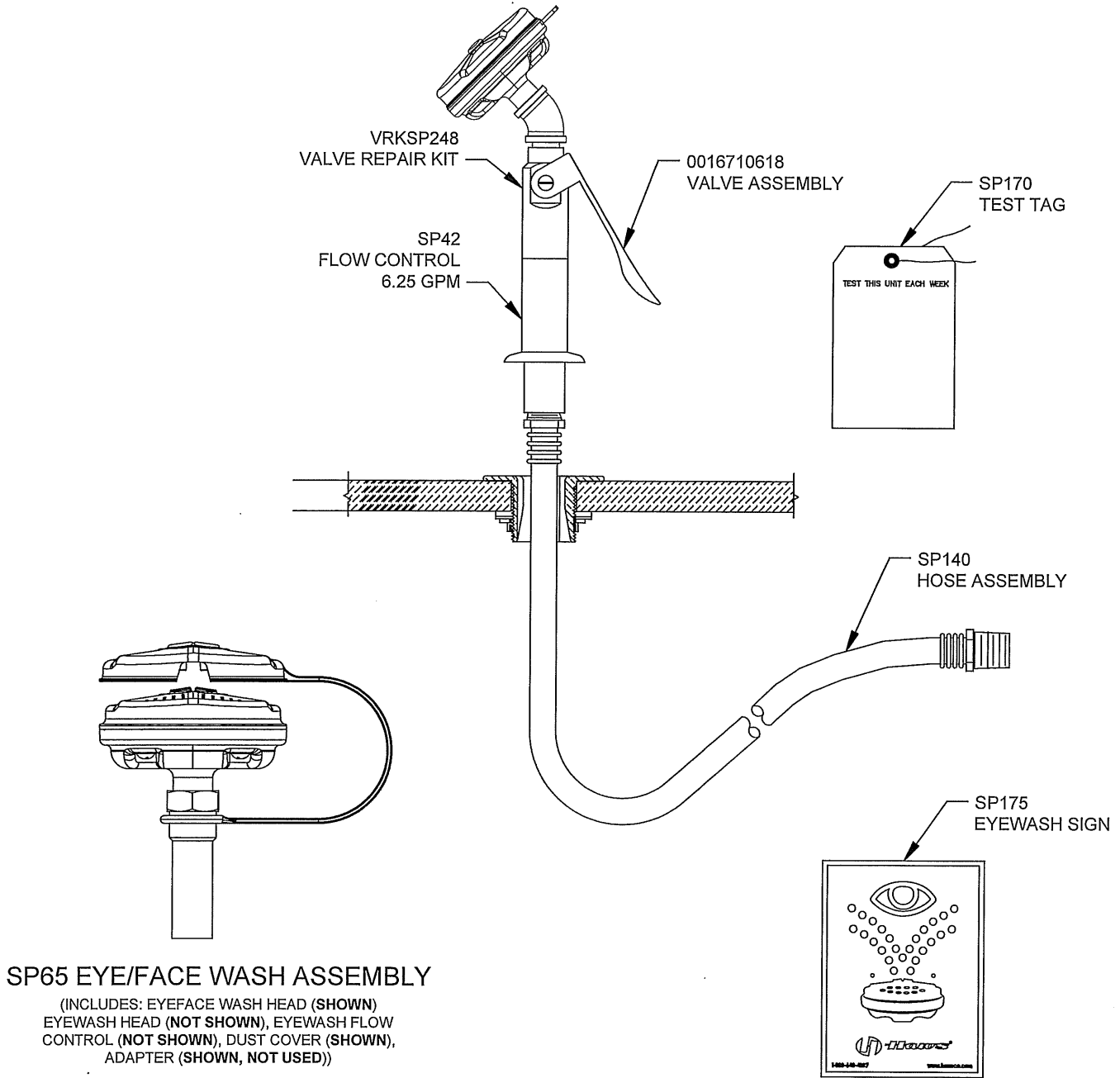
## **INSTALLATION INSTRUCTIONS**

Refer to installation drawing to clarify installation procedure.


**STEP 1:** Assemble eye/face wash assembly to hose, orient tab on assembly away from user.

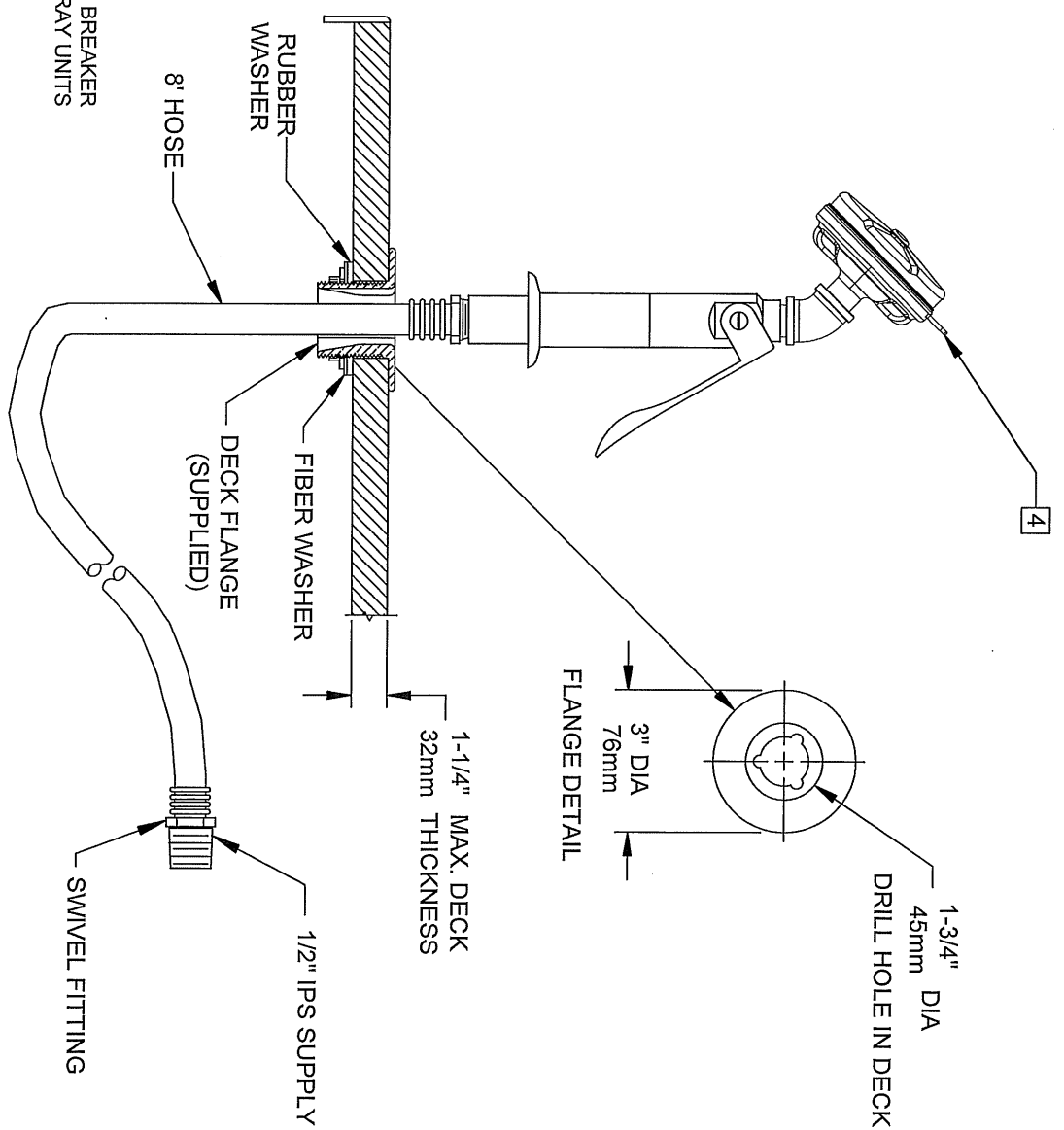
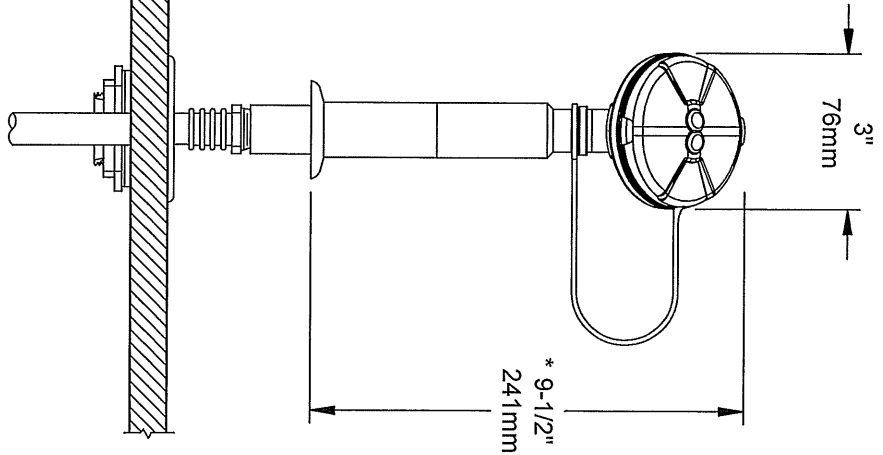
For more information about Haws products, see our website: [www.hawsco.com](http://www.hawsco.com)

# PARTS BREAKDOWN



**SP65 EYE/FACE WASH ASSEMBLY**  
 (INCLUDES: EYEFACE WASH HEAD (SHOWN)  
 EYEWASH HEAD (NOT SHOWN), EYEWASH FLOW  
 CONTROL (NOT SHOWN), DUST COVER (SHOWN),  
 ADAPTER (SHOWN, NOT USED))

		<b>Haws</b> ®		1455 KLEPPE LANE SPARKS, NEVADA 89431 (775) 359-4712 FAX (755) 359-7424 E-MAIL: HAWS@HAWS.CO.COM WEBSITE: WWW.HAWS.CO.COM	
				ECN NO. REVISED PER BY ECN: 4754 HM	MODEL(S) 8904
DRAWN CH DATE 10/28/03	CHECKED DATE 11/2/03	DRAWING NO. 11602C00	REV 12		
WHEN ORDERING PARTS PLEASE SPECIFY MODEL NUMBER.		SCALE: 1:4	DRAWING TYPE: PARTS BREAKDOWN	SIZE: A SHEET 1 OF 1	



NOTES:

- \*1. DIMENSIONS MAY VARY ±1/2" (12.7mm).
- 2. IN ORDER TO COMPLY WITH STATE CODES, THE USE OF A VACUUM BREAKER IS REQUIRED WITH ALL HAND HELD EYE/FACE WASH AND BODY SPRAY UNITS (HAWMS OFFERS MODEL SP212).

- 3. TO COMPLY WITH ANSI Z358.1-2009 FOR EMERGENCY EYEWASH OR EYE/FACE WASH EQUIPMENT:
  - UNIT SHALL BE INSTALLED IN ACCORDANCE WITH MANUFACTURERS INSTRUCTIONS AND ACCEPTABLE PLUMBING PRACTICES.
  - EYEWASH OR EYE/FACE WASH SHALL BE POSITIONED WITH NOZZLES NOT LESS THEN 83.8 CM (33 IN.) AND NO GREATER THAN 114.3 CM (45 IN.) FROM SURFACE ON WHICH USER STANDS AND 15.3 CM (6 IN.) MINIMUM FROM WALL OR NEAREST OBSTRUCTION.

- 4 ASSEMBLE EYE/FACE WASH ASSEMBLY TO HOSE. ORIENT TAB ON ASSEMBLY AWAY FROM USER.

©2012 Haws Corporation - All Rights Reserved. HAWMS® and other trademarks used in these materials are the exclusive property of Haws Corporation.

		<b>8904</b>	
EYE/FACE WASH BODY SPRAY		EYE/FACE WASH BODY SPRAY	
ECN NO. REVISED PER REV.	MODEL(S)	PART NUMBER	
CON: 4754	HM	0002050198.D	
DATE: 03/10/12		DRAWING NO.	REV
APPROVED: [Signature]		10899A00	12
SCALE: 1:4	DRAWING TYPE: INSTALLATION	SIZE: A SHEET 1 OF 1	
1455 KLEPPE LANE SPARKS, NEVADA 89431 (775) 359-4712 FAX (775) 359-7424 E-MAIL: HAWMS@HAWMSCO.COM WEBSITE: WWW.HAWMSCO.COM			