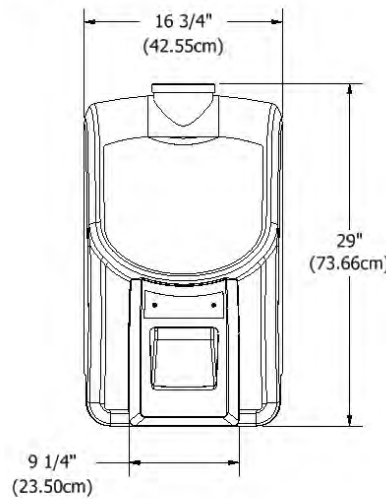


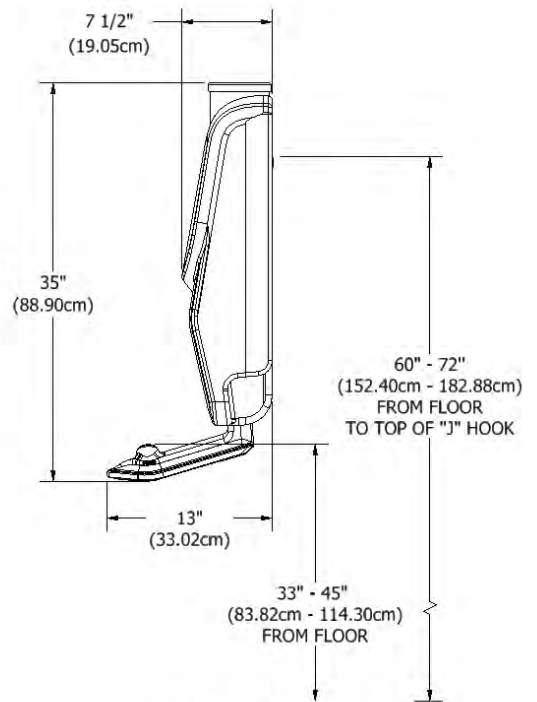


PRODUCT DESCRIPTION

Portable 10 gallon self-contained gravity fed eyewash unit for use in areas where plumbed potable water is not available. Units are designed for multiple mounting options, including wall, shelf or cart mount.



FRONT VIEW



SIDE VIEW
SHOWN IN
ACTIVATED POSITION

COMPONENT LIST

- A Helios® Gravity Fed Eyewash
- B "J" Hook
- C Fill Cap w/Bead Chain
- D Hydrosep® Water Preservative (8 oz. bottle) [Not shown]

INSTALLATION INSTRUCTIONS FOR GRAVITY FED EYEWASH

***CAUTION: Adequate support is recommended.
Unit weighs in excess of 85 lbs. when filled to capacity.***

1. Inspect and rinse tank.
2. The unit is to be mounted on a wall. The eyewash heads should be 33" to 45" from the floor when in open position.
3. When wall mounting, install "J" Hook to proper support beam 60" to 72" from the floor to the top of the "J" Hook, using proper mounting screws (mounting screws are not included).
4. Fill tank with potable water up to the top of the unit and add Hydrosep[®] water preservative. Follow directions on Hydrosep[®] container.
5. Pull down eyewash tray to activate and test unit for proper flow pattern.

OPERATION AND MAINTENANCE

1. Keep tray closed to protect eyewash heads and shut off flow. Do not lean on tray when in open position.
2. Clean tank with mild soap and water as needed. Rinse well and refill with potable water to appropriate fill-line and add Hydrosep[®] water preservative.
3. Unit should be drained, flushed, and refilled with clean potable water and Hydrosep[®] water preservative. Encon recommends cleaning and replacing the fluid every 90 to 120 days. Follow the directions printed on the Hydrosep[®] bottle.
4. Unit should be activated for 15 seconds to flush lines and inspected annually to verify proper operation.
5. Refill to appropriate fill-line after each test and add Hydrosep[®] water preservative if six gallons (cumulative) or more is used during the testing procedures. Inspection should include examination of valve connecting reservoir and eyewash tray, and reservoir should be free of fungi, algae or other foreign materials.
6. Test records should be maintained verifying compliance with testing procedures.

GENERAL INFORMATION

Helios[®] performs to the requirements of the current ANSI/ISEA Z358.1 standard for Emergency Eyewash and Shower Equipment. A complete copy of this standard may be purchased from International Safety Equipment Association.

TRAINING

All employees who might be exposed to hazardous material shall be instructed in the location and proper use of emergency shower and eye/facewash units. Experiences have shown that initial first-aid treatment for irritants should be to wash the eyes and face for 15 minutes prior to medical treatment. It is important to hold the eyelids open and roll the eyes so water will flow on all surfaces and in the folds surrounding the eyes.

SPARE PARTS & ACCESSORIES

01110764	Hydrosep [®] Water Preservative (4 pack 8 oz. bottles)
01110738	"J" Hook
01052182	Fill Cap w/Bead Chain
01110302	Transport Cart

WARRANTY STATEMENT

ENCON HEREBY DISCLAIMS ALL WARRANTIES EXPRESSED OR IMPLIED INCLUDING BUT NOT LIMITED TO WARRANTIES OF MERCHANTABILITY, FITNESS FOR A PARTICULAR PURPOSE, AND NON-INFRINGEMENT OF THIRD-PARTY RIGHTS, EXCEPT AS HEREINAFTER PROVIDED.

Encon Safety Products warrants that for one year from the date of purchase of any Encon products, the product will be free of defects in materials and workmanship if properly used and cared for or cleaned under normal conditions in accordance with Encon's use and care instructions and properly installed, if applicable, in accordance with Encon's installation instructions. With respect to the product, Encon's only obligation and purchaser's exclusive remedy under this warranty is to repair or replace such product; provided that:

1. Encon is notified of the defect within one year of shipment, and
2. the product is determined by Encon to be defective.

Encon requires proof of original ownership as proof of warranty coverage, and Encon must receive any claim under this Limited Warranty within one year of purchase of the product.

NOTWITHSTANDING ANYTHING TO THE CONTRARY CONTAINED HEREIN, ENCON SHALL NOT BE LIABLE FOR LOSS, DAMAGE, OR EXPENSE ARISING DIRECTLY OR INDIRECTLY AS A CONSEQUENCE OF USE OF THE EQUIPMENT WITH OTHER PRODUCTS OR FROM ANY OTHER CAUSE, INCLUDING ANY CONSEQUENTIAL, INCIDENTAL, SPECIAL OR EXEMPLARY DAMAGES, EXCEPT FOR ENCON'S OBLIGATION TO REPAIR OR REPLACE DEFECTIVE PRODUCTS AS EXPRESSLY PROVIDED IN THIS STATEMENT.

Replacement parts purchased from Encon are warranted for one year following the shipment of such replacement part, or until the expiration of the warranty period for the product, whichever is less. No warranty is given in connection with products that are altered without Encon's expressed written consent. The same warranty limitations and the obligations of Encon as set out herein above shall apply to replacement parts.

Encon's total liability arising out of this warranty (including, but not limited to, warranty claims) regardless of forum and regardless of whether such action or claim is based on tort, contract or otherwise will not exceed the total purchase price of the product.



6825 W. Sam Houston Pkwy. N (77041)
P.O. Box 3826 • Houston, Texas (77253)
(713) 466-1449 • Fax (713) 466-1819
1-800-AT-ENCON / 1-800-283-6266
E-Mail: customerservice@enconsafety.com
Website: www.enconsafety.com